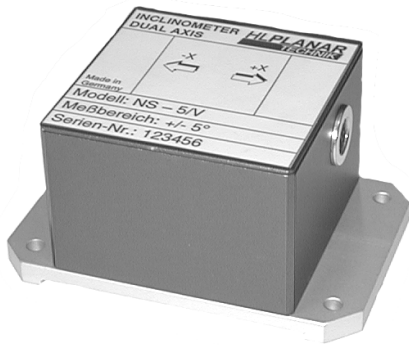


## NS-5/V Single Axis Inclinometer

With analog voltage output



The NS-5/V single-axis inclinometer is a member of a family of high performance, competitively priced, single and dual-axis inclinometers. The heart of every HL Planartechnik inclinometer is a small, state-of-the-art, inclination sensor. The sensor, which is comprised of a molded, ceramic case bonded, via a glass sealing process, to a ceramic substrate. Thin film, platinum electrodes are deposited on the substrate. Then the chamber is partially filled with electrolytic fluid and hermetically sealed. The molded, ceramic, sensor housing combined with a precise, planar electrode geometry yields excellent performance and consistent part-to-part uniformity.

### Applications

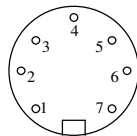
- Zero point detection
- Aligning and level control
- Angle

### Advantages

- Wide range of application
- Low vibration sensitivity
- Low price

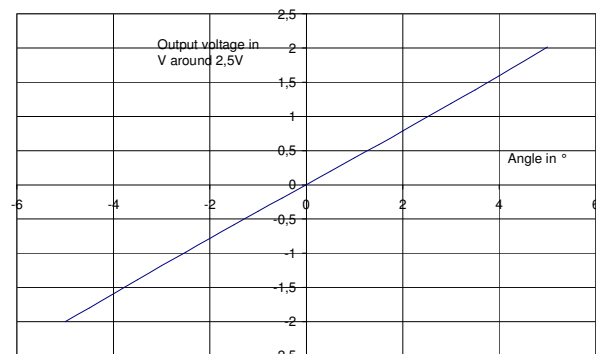
The V-type sensors have an internal pre-processor and produce a  $-/+2V$  analog output. They have a compact sturdy design and a whole range of uses are possible thanks to the possibility of many different external-switching combinations. With their machined, aluminium baseplate and IP 65 housing, they are an ideal choice for a variety of industrial, automotive and aerospace applications.

### Pinout

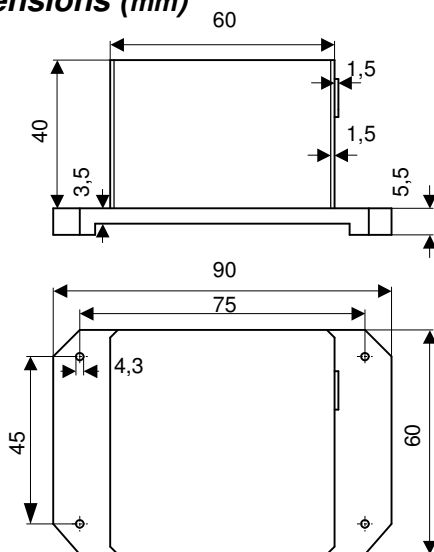


1	+Ub	Supply Voltage
2	GND	Ground
3	Erde	Earth
4	GNDx	Ground for analog output Ux
5	n.c.	n.c.
6	Ux	Voltage output Ux
7	n.c.	n.c.

### Diagram (angle vs. output signal)



### Dimensions (mm)



### Specifications

Range:	$\pm 5^\circ$
Precision:	$0,03^\circ$ for $-3^\circ \dots +3^\circ$
Resolution:	$0,001^\circ$
Temperature stability:	
Zero point:	$0,1^\circ$ for $0^\circ \dots +50^\circ$
Sensitivity:	$0,3^\circ$ for $0^\circ \dots +50^\circ$
Analog Output:	$-2V (-5^\circ)$ to $+2V (+5^\circ)$
Operating temp. Range:	$0^\circ \dots +70^\circ$
Storage temp. Range:	$-40^\circ \dots +85^\circ$
Supply voltage:	$+12 \dots +24VDC$
Current consumption:	$\sim 9mA$
Protection class:	IP 65
Connection:	Connector or Pigtail