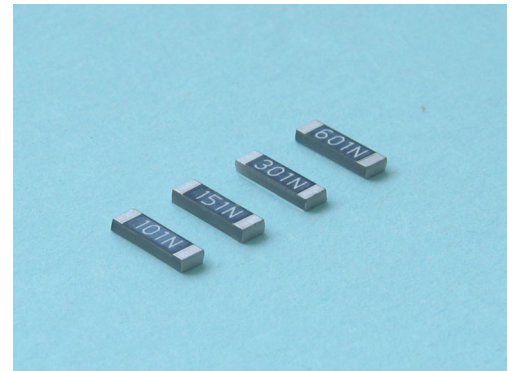


RF POWER CHIP RESISTORS

RFH, RFJ, RFK



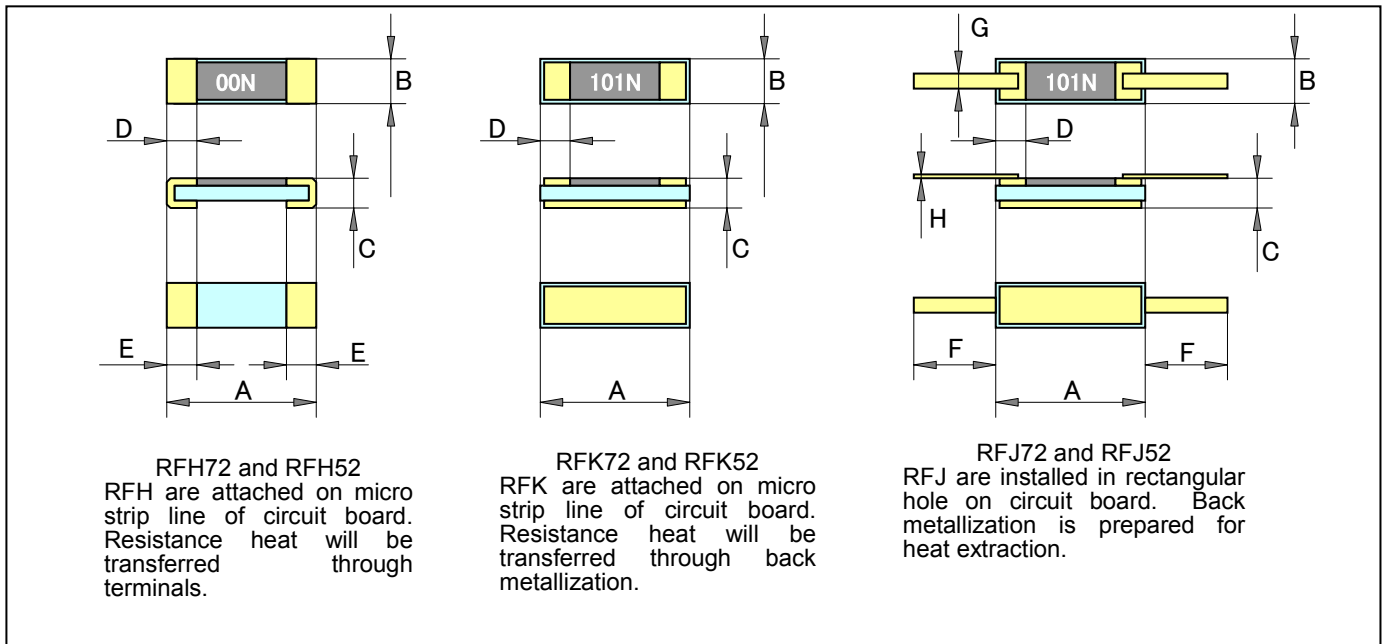
Features and Applications

5mm*2mm and 7mm*2mm small size 10W power chip resistors for RF applications. RFH and RFK are lead-less, RFJ have two beam leads. Strong terminals of RFH are prepared to extract heat from resistor chip to circuit board. RFJ and RFK have back metal for heat extraction. 10W (RFH72, RFH52) and 20W (RFK52, RFK72) power rating are available with beryllium free design.

1% tolerance and 50ppm/degree tight resistances enable stable application circuits.

RF power amplifiers, RF power source, fixed station of cell phones, RF measurement and termination of circulators/isolators.

Dimensions



	A	B	C	D	E	F	G	H
RFH52	5.0	2.5	1.2max	0.8	0.8	-	-	-
RFH72	7.0	2.0	1.2max	0.8	0.8	-	-	-
RFK52	5.0	2.5	1.2max	0.8	-	-	-	-
RFK72	7.0	2.0	1.2max	0.8	-	-	-	-
RFJ52	5.0	2.5	1.2max	-	-	5.0	1.0	0.1
RFJ72	7.0	2.0	1.2max	-	-	5.0	1.0	0.1

Note: Gap of "J" shall be sufficient height as RF characteristics.

RF POWER CHIP RESISTORS

RFH, RFJ, RFK

Ordering Information

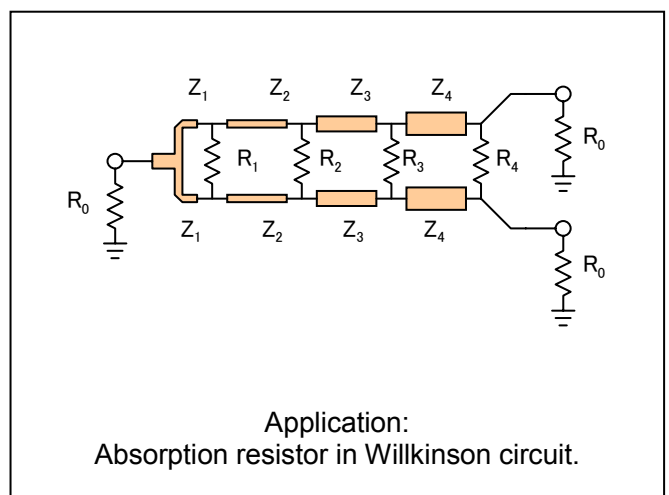
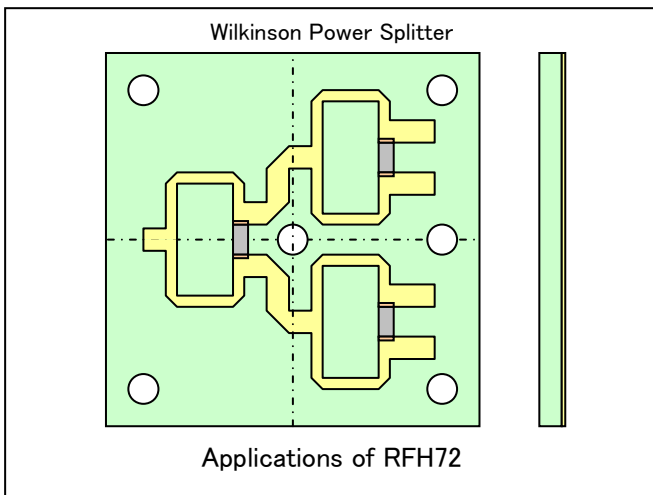
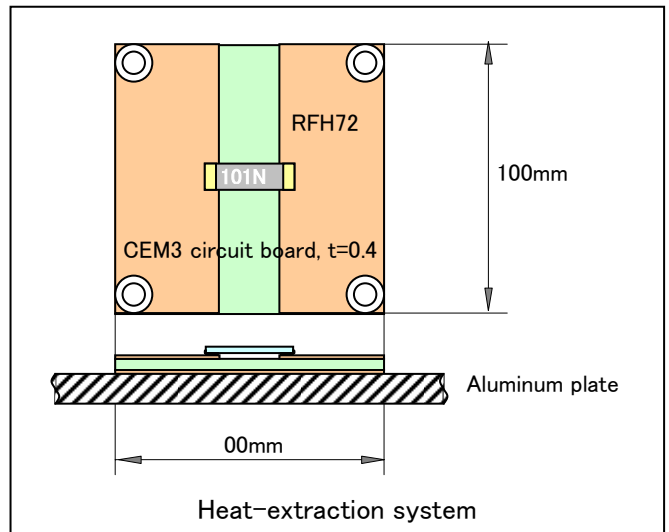
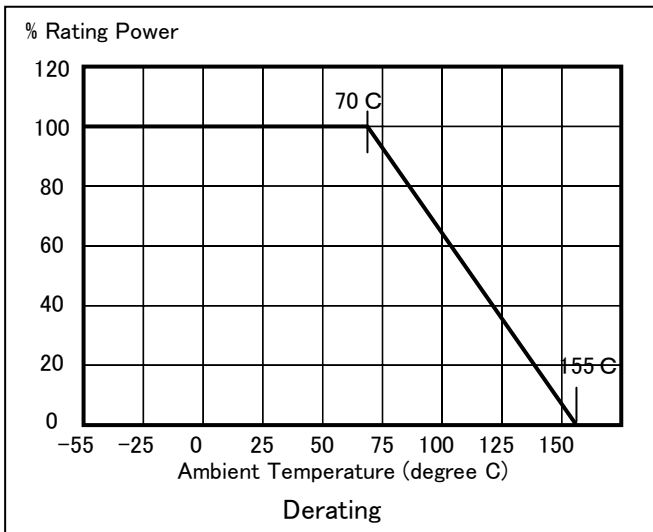
P/N	TYPE	TCR	Resistance	Tolerance	Package	Remarks
RFH72C50ohmF001	RFH72	C(50ppm)	50ohm	F (1%)	Z01 (100pcs/Bulk)	Leadless
RFK72C100ohmF000	RFK72	C(50ppm)	100ohm	F (1%)	Z00 (100pcs/Bulk)	Leadless
RFJ72C150ohmF003	RFJ72	C(50ppm)	100ohm	F (1%)	003 (100pcs/Tray)	Beam Leaded
RFJ52C100ohmF003	RFJ52	C(50ppm)	100ohm	F (1%)	003 (100pcs/Tray)	Beam Leaded

Note: Only, RFH and RFK are lead-free structure.

Specifications and Performances

Type	RFH52	RFH72	RFJ52	RFJ72	RFK	RFK
Rating Power with Heatsink	10W	10W	20W	20W	20W	20W
Resistance	50, 100, 150, 200, 250, 300, 400, 600, 800 Ω					
TC	+/-50ppm/K (C)					
Tolerance	+/-1.0% (F)					
Rated Ambient Temperature	70C					
Operating Temp Range	-55C to +155C					
Load Life	+/-0.5%					
Humidity	+/-0.5%					
Series Inductance	3.2 uH					
Parallel Capacitance	< 0.05 pF					

Note: Soldering temperature shall be under 350 C degree.



RF POWER CHIP RESISTORS

RFH, RFJ, RFK

