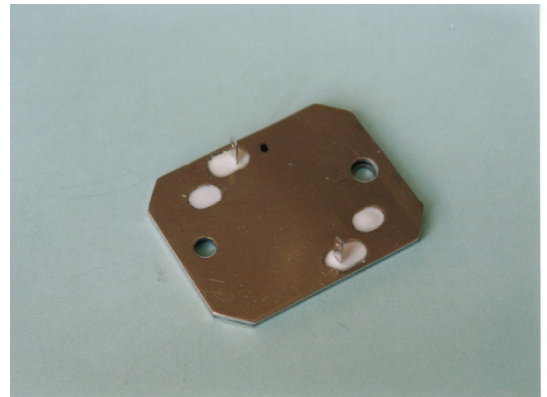


RF CURRENT DETECT RESISTORS

RAF30



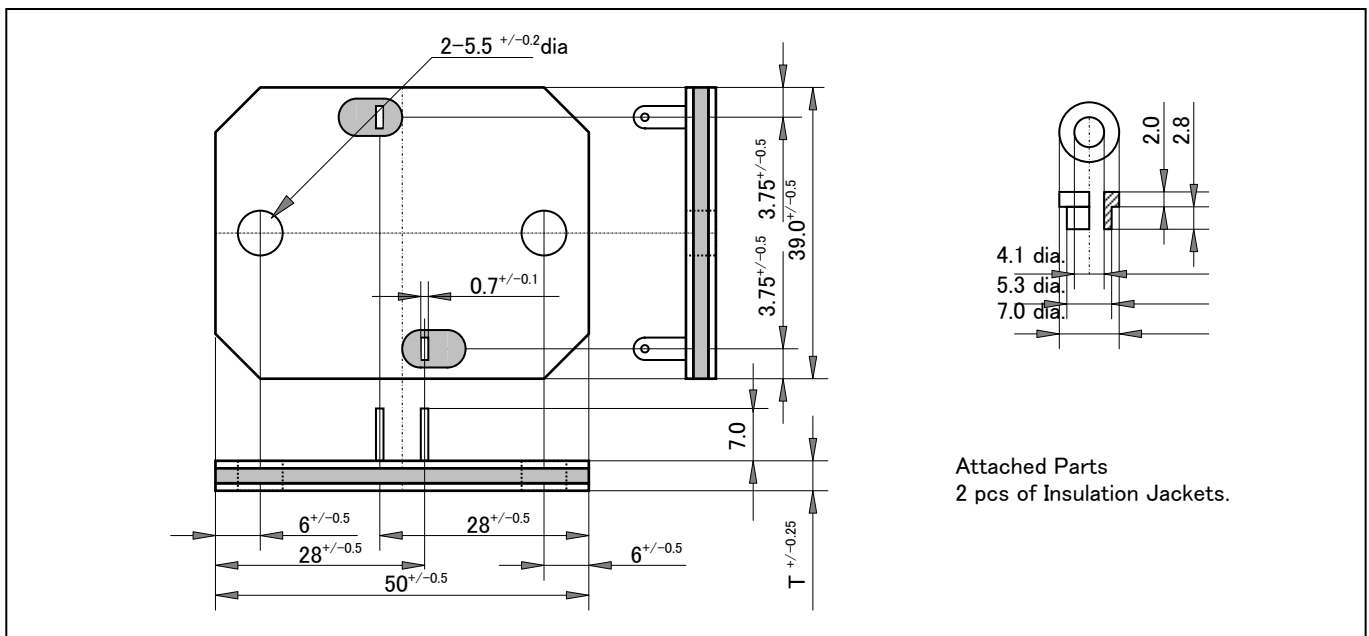
Features and Applications

1m to 5m Ohm, 30W rating power, Kelvin 4 terminal, bus-bar attachment type, precision current detector.

Inductance influence has been decreased through the small distance between current terminals.

Applications include industrial measurement, measuring instruments, precision power supply, precision equipment power supply, constant current power supply, IC test equipment, ac motor control, actuator control, inverters, IPM, rechargeable battery charge circuits, etc.

Dimensions (mm)



Attached Parts
2 pcs of Insulation Jackets.

Notes: Thickness, T=2.7mm (1m ohm), T=2.4mm (2m ohm), T=2.3mm(4mohm)

Specifications

Power Rating	30W with heat sink (Bus Bar)
Rating Temperature	-55 to +125 degree C
Resistance	1m Ohm to 5m Ohms
Tolerance	+/-0.5%(D), +/-1.0%(F),
TCR	+/-25ppm/K(E), +/-50ppm/K(C)
Thermal EMF	Less than 1micro Volts in 0 -100 degree C.
Operating Temperature	-55 to +125 degree C

Ordering Informations

P/N	Type	TCR	Resistance	tolerance	
RAF30C1m OhmFZ00	RAF30	50ppm/K(C)	0R001	+/-1%(F)	Z00 (Lead-free)
RAF30C2m OhmFZ00	RAF30	50ppm/K(C)	0R002	+/-1%(F)	Z00 (Lead-free)
RAF30C5m OhmFZ00	RAF30	50ppm/K(C)	0R005	+/-1%(F)	Z00 (Lead-free)